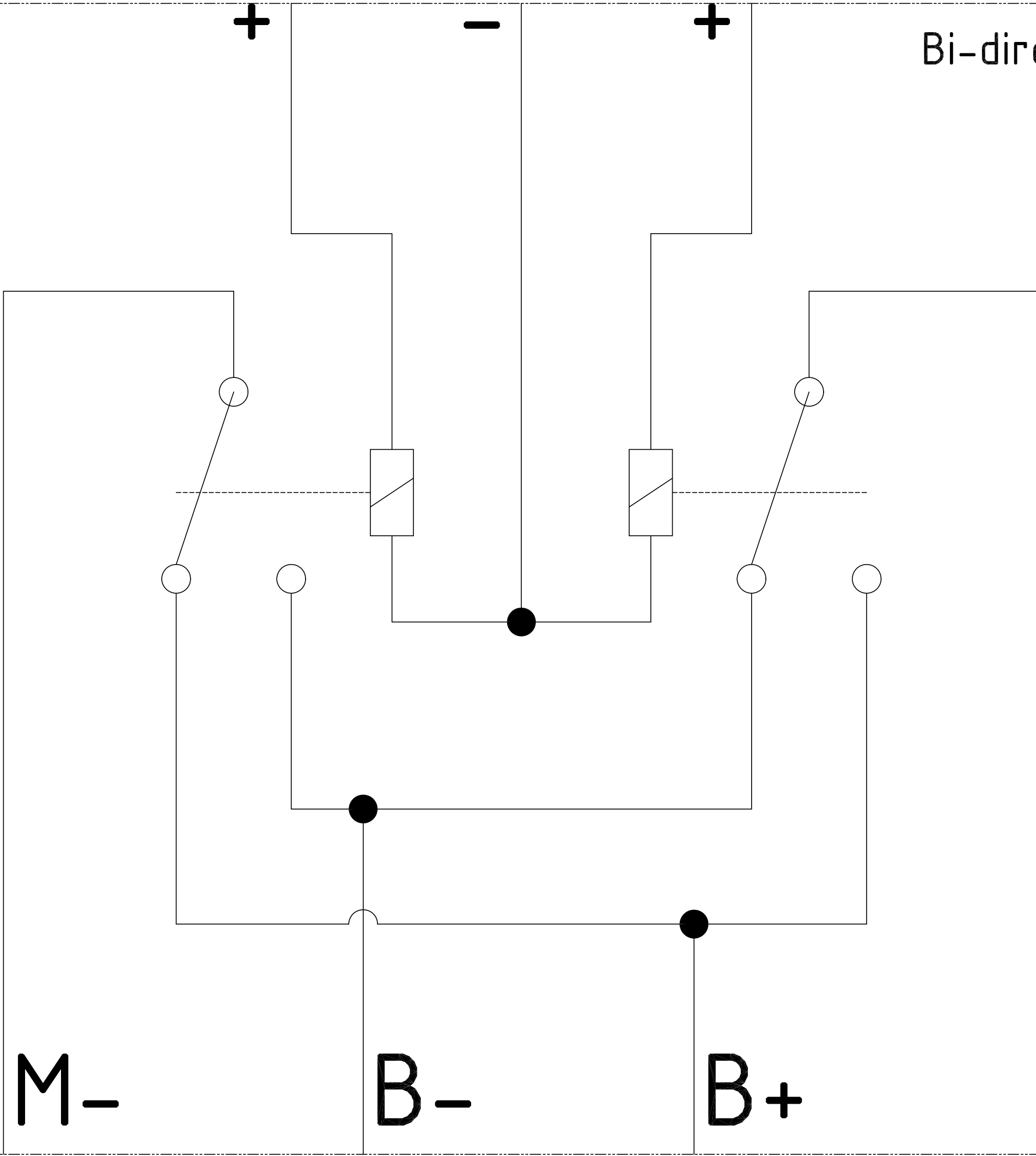


Bi-directional relay

4



M_-

B_-

B_+

M_+