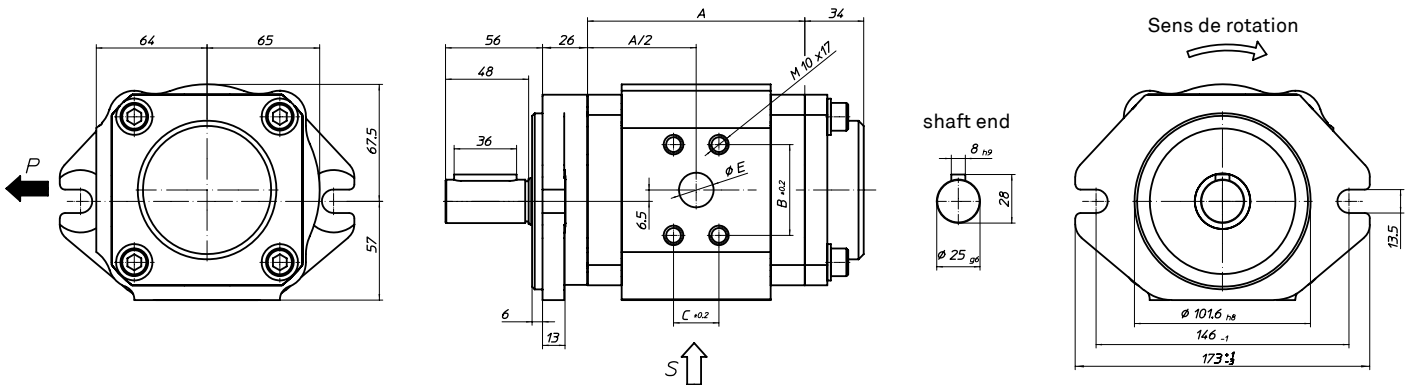


# Dimensions

## EIPC3

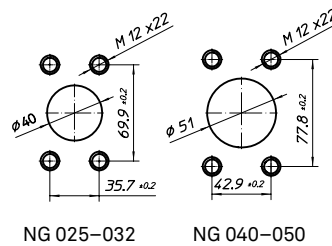
### Pump with SAE-B2-bolt flange and straight keyed shaft with PTO

Order example: EIPC3-\_\_\_RK23-1X

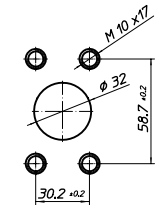


Size	A	B	C	E
020	97,9	47,5	22	18
025	104,4	47,5	22	18
032	114,4	47,5	22	18
040	125,4	52,4	26,2	20
050	139,4	52,4	26,2	20

oversized suction port

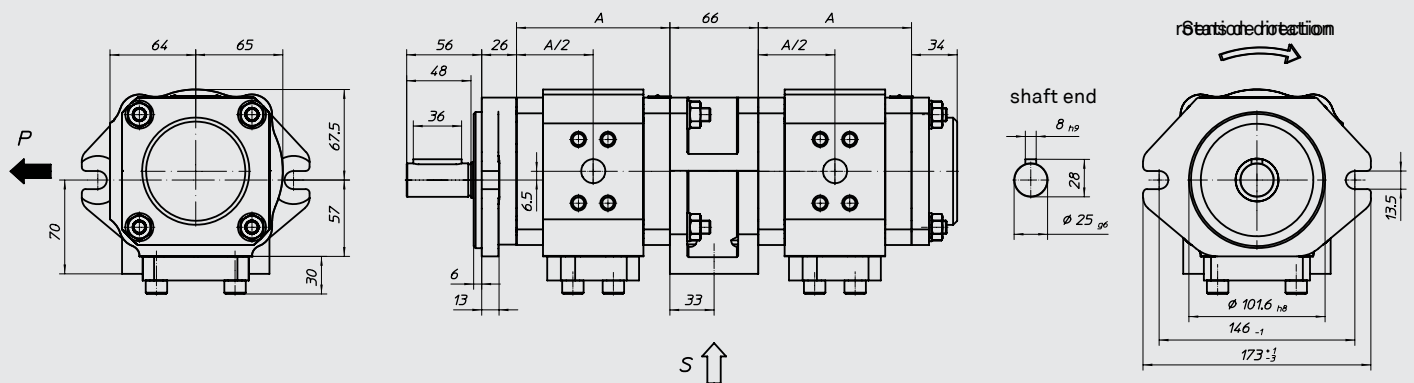


suction port



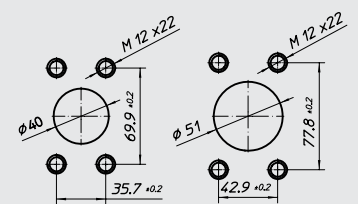
### Double pump with SAE-B2-bolt flange and straight keyed shaft

Order example: EIPC3-\_\_\_RK20-1X+ EIPC3-\_\_\_RP30-1X



Size	A
020	97,9
025	104,4
032	114,4
040	125,4
050	139,4

common suction port



Pressure connections see single pump.  
 For separate suction, see suction connections single pumps.  
 Caution: In speed-controlled applications, each pump must prime separately.