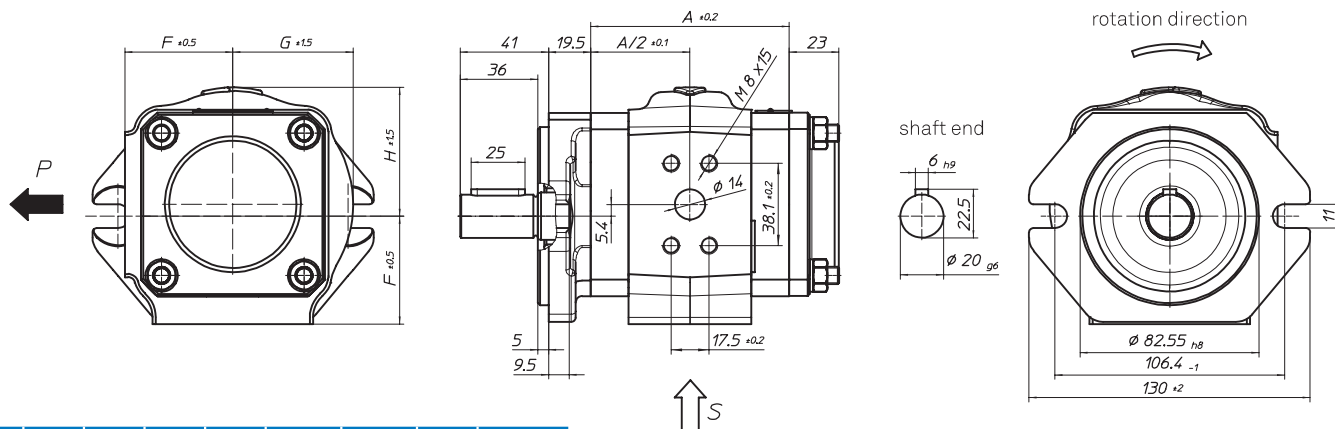
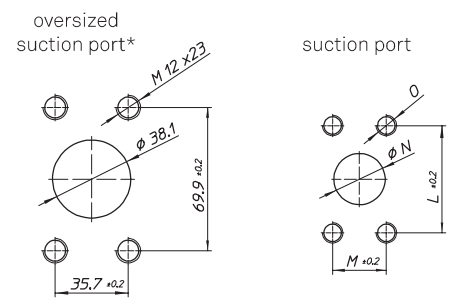


Pump with SAE-A2-bolt flange and straight keyed shaft

Order example: EIPH2-___RK03-1X



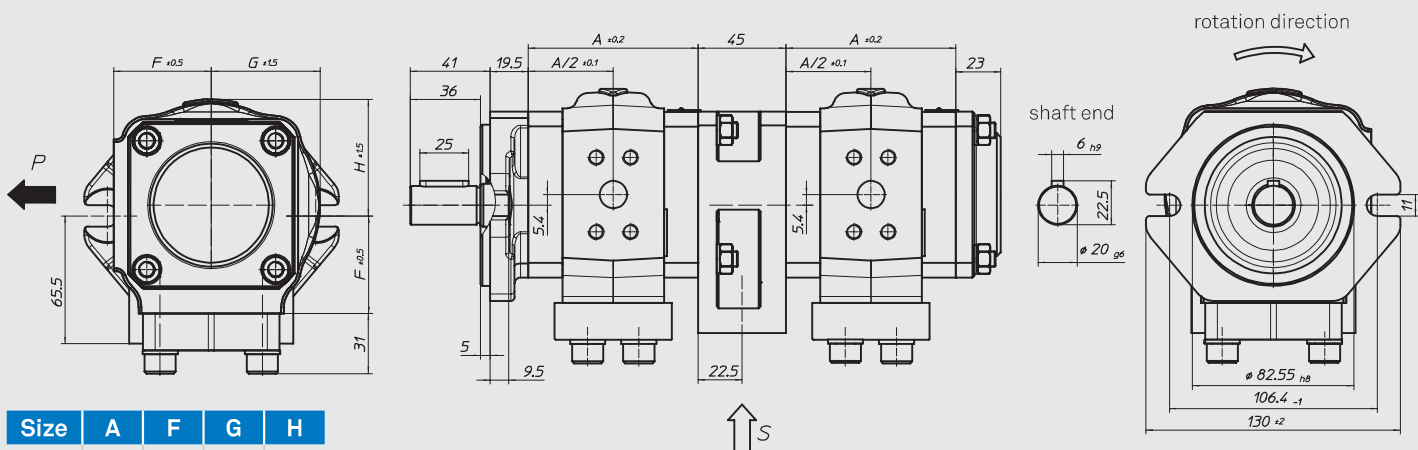
Size	A	F	G	H	L	M	N	O
004	71	50	55	59	38,1	17,5	14	M8x15
005	71	50	55	59	38,1	17,5	14	M8x15
006	73	50	55	59	47,5	22	19	M10x16
008	76	50	55	59	47,5	22	19	M10x17
011	82	50	55	59	52,4	26,2	25	M10x17
013	87	50	55	60	52,4	26,2	25	M10x17
016	92	50	55	60	52,4	26,2	25	M10x17
019	99	55	61	65	52,4	26,2	25	M10x17
022	105	55	61	65	52,4	26,2	25	M10x17
025	111	55	61	65	52,4	26,2	25	M10x17



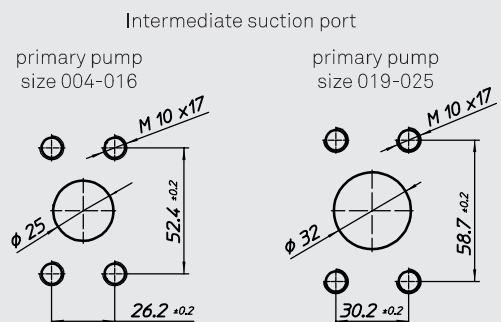
* is suitable for speed controlled drive applications (available only for sizes 019, 022, 025)

Double pump with SAE-A2-bolt flange and straight keyed shaft

Order example: EIPH2-___RK00-1X+
EIPH2-___RP30-1X



Size	A	F	G	H
004	71	50	55	59
005	71	50	55	59
006	73	50	55	59
008	76	50	55	59
011	82	50	55	59
013	87	50	55	60
016	92	50	55	60
019	99	55	61	65
022	105	55	61	65
025	111	55	61	65



Pressure connections see single pumps | For separate suction, see suction connections single pumps.