

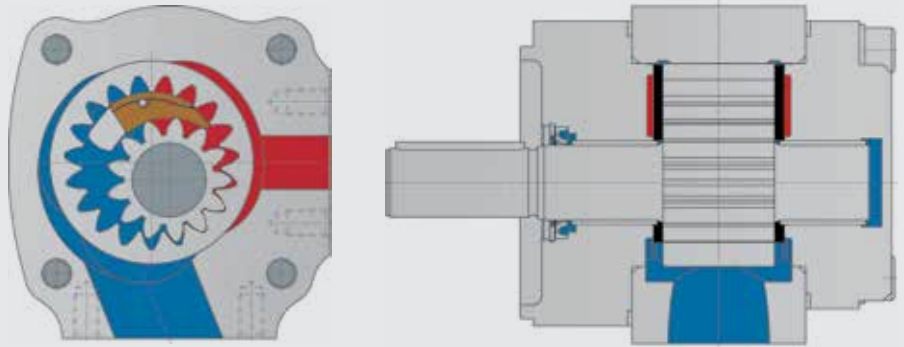
Internal gear pump

Type EIPC5 for industrial applications with constant displacement volume

EIPC5

Characteristics

- Internal gear pump with axial and radial gap compensation
- Radial compensation with segments
- Suction and pressure port radial
- Field of application: Industrial hydraulic
- Low noise
- Long time life
- Low pulsation (pressure pulsation ~2 %)
- Multi flow combinations on request



Technical Data

Rated Size	040	050	064	080	100
Spec. volume Vth [cm ³ /rev]**	40,2	50,3	65,3	80,4	100,5
Continuous operating pressure [bar]**	250	250		250	
Peak operating pressure [bar] max. 10 sec 15 % duty cycle**	300	300		270	
Cut-in pressure peak [bar]**	330	330		280	
Nominal speed [min ⁻¹]	100 – 3.000	100 – 3.000	100 – 2.800	100 – 2.800	100 – 2.500
Max. speed [min ⁻¹]	3.600	3.600		3.000	
Operating viscosity [mm ² /s]	10 – 300				
Starting viscosity [mm ² /s]	2.000				
Operating temperature [°C]	-20 to +100				
Operating medium	HL – HLP DIN 51 524 part 1/2				
Max. medium temperature [°C]	120				
Min. medium temperature [°C]	-40				
Max. ambient temperature [°C]	80				
Min. ambient temperature [°C]	-40				
Max. admission pressure (intake side) [bar]	2 bar absolute				
Min. admission pressure (intake side) [bar]	0,8 bar absolute (Start 0,6)				
Weight appr. [kg]	9,85	10,5	11,5	13,0	13,5
Degree of filtration	Class 20/18/15 due to ISO 4406				
Life expectancy	not less than 1x 10 ⁷ load cycles against peak operating pressure				
Efficiency η vol:	–	–	94	95	95
Efficiency η hm:	–	–	92	93	93
Pump noise* (measured in sound chamber) dB[A]	–	–	69	70	71

n = 1.450 min⁻¹ Δ p = 250 bar T = 50 °C Medium: HLP 46

* Measured in anechoic room of Eckerte Hydraulic Division; Axial microphone distance 1.0 m

** For acceptable pressure at 400–1.800 rpm. Further rpm on request.

*** Due to manufacturing tolerances the displacement volume could vary.

The pumps have no corrosion protection. The max. permissible values must not be applied cumulatively. Please contact us.