

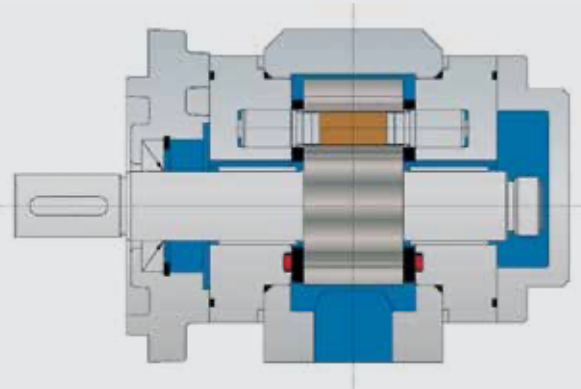
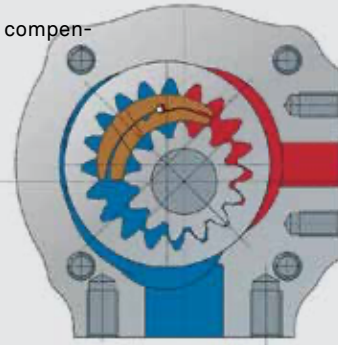
Internal gear pump

Type EIPC3 for industrial applications with constant displacement volume

EIPC3

Characteristics

- Internal gear pump with axial and radial gap compensation
- Radial compensation with segments
- Suction and pressure port radial
- Field of application: Industrial hydraulic
- Low noise
- Long time life
- Low pulsation (pressure pulsation ~2 %)
- Multi flow combinations



Technical Data

Rated Size	020	025	032	040	050	063	064
Spec. volume Vth [cm ³ /rev]***	20,0	24,8	31,6	39,5	49,5	62,5	65,3
Continuous operating pressure [bar]**	250					180	250
Peak operating pressure [bar] max. 10 sec 15 % duty cycle**	320			300	280	210	280
Cut-in pressure peak [bar]**	350			325	300	210	300
Nominal speed [min ⁻¹]	200 – 3.400	200 – 3.200	200 – 3.000	100 – 2.500	100 – 1.800		100 – 1.800
Max. speed [min ⁻¹]	3.900	3.800	3.700	2.500	1.800		1.800
Nominal speed [min ⁻¹]****	For rated size 040-064 available			100 – 3.200	100 – 3.000	200 – 2.200	100 – 2.200
Max. speed [min ⁻¹]****	For rated size 040-064 available			3.600	3.600	2.400	2.400
Operating viscosity [mm ² /s]	10 – 300						
Starting viscosity [mm ² /s]	2.000						
Operating temperature [°C]	-20 to +100						
Operating medium	HL – HLP DIN 51 524 part 1/2						
Max. medium temperature [°C]	120						
Min. medium temperature [°C]	-40						
Max. ambient temperature [°C]	80						
Min. ambient temperature [°C]	-40						
Max. admission pressure (intake side) [bar]	2 bar absolute						
Min. admission pressure (intake side) [bar]	0.8 bar absolute (Start 0.6)						
Weight appr. [kg]	8,3	8,6	9,2	9,8	10,5	10,5	11,5
Degree of filtration	Class 20/18/15 due to ISO 4406						
Life expectancy	not less than 1x 10 ⁷ load cycles against peak operating pressure						
Efficiency η vol:	93	93	94	95	95	94	95
Efficiency η hm:	91	92	92	93	93	92	93
n = 1.450 min ⁻¹ Δ p = 250 bar (180 bar at size 063) T = 50 °C	Medium: HLP 46						
Pump noise* (measured in sound chamber) dB[A]	62	63	64	65	66	64	68

* Measured in anechoic room of Eckerte Hydraulic Division; Axial microphone distance 1.0 m

** For acceptable pressure at 400–1.800 rpm. Further rpm on request.

*** Due to manufacturing tolerances the displacement volume could vary.

**** 2" suction port

The pumps have no corrosion protection. The max. permissible values must not be applied cumulatively. Please contact us.